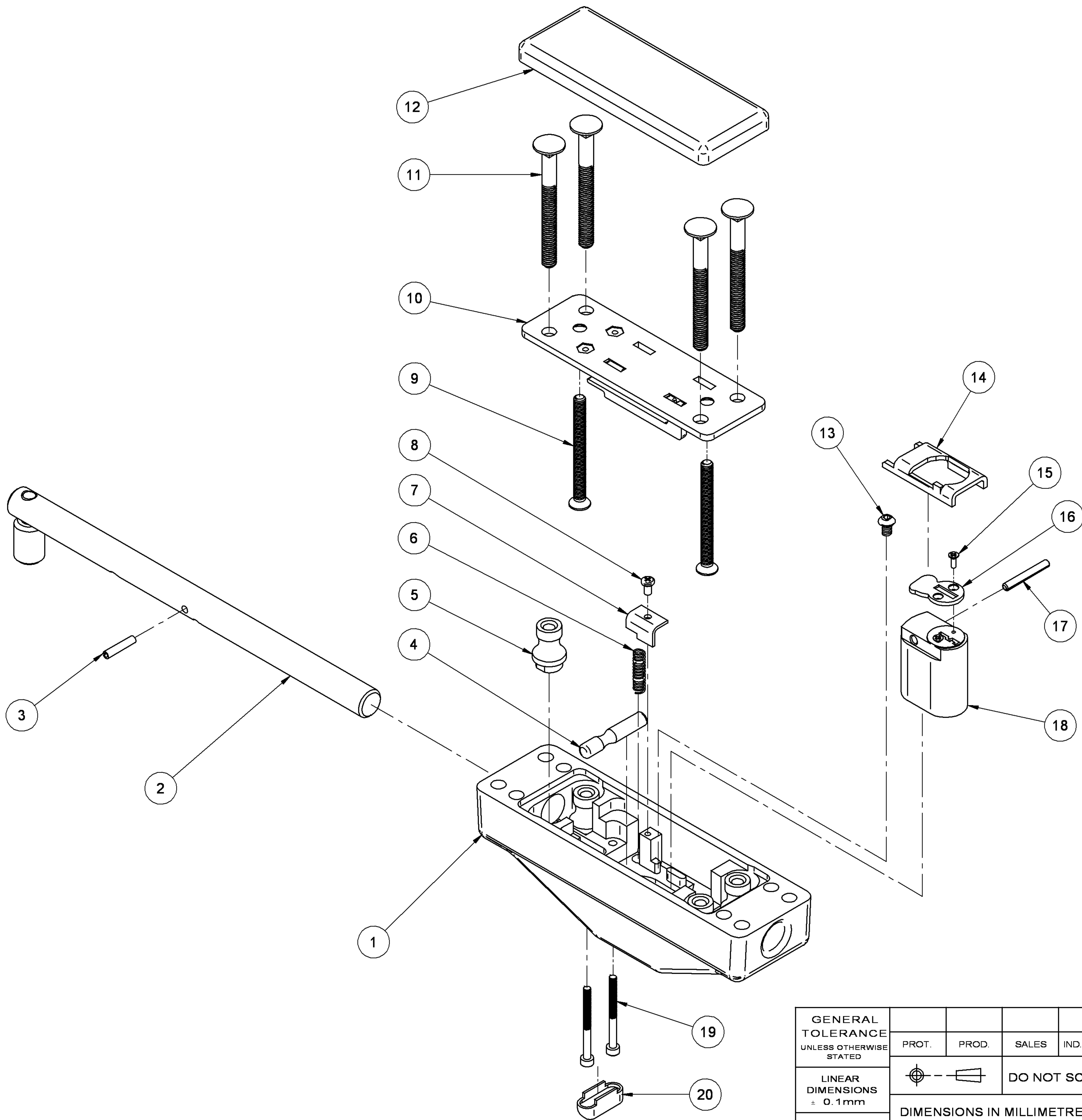


DRILL Ø 6.0
(2 PLACES)

DRILL Ø 6.5
(4 PLACES)

0	-	-	NEW ISSUE	JN	31/08/06
ISS.	C.R.No.	ZONE	AMENDMENTS	BY	DATE

GENERAL TOLERANCE UNLESS OTHERWISE STATED	PROT.	PROD.	SALES	IND. ENG	ITEM	PART No.	DRG No.	DESCRIPTION		QTY
					ADI SECURITY PRODUCTS			BOLT LOCK ASSEMBLY		
LINEAR DIMENSIONS ± 0.1mm	© ADI SECURITY PRODUCTS				DRAWN	J.NEAL	DATE	31.08.06	MATERIAL AND FINISH	-
ANGULAR DIMENSIONS ± 0.5°	THE DESIGN AND OTHER INFORMATION IS IMPARTED ONLY FOR THE PURPOSE FOR WHICH IT IS SUPPLIED. NO OTHER USE OR ANY REPRODUCTION, COPYING OR COMMUNICATION IS PERMITTED WITHOUT THE WRITTEN PERMISSION OF ADI SECURITY PRODUCTS.				CHECKED		QTY	1 OFF	SCALE	2 : 1
GEOMETRY TOLERANCING TO AS1100					APPROVED		REF	SE18	NEXT ASSY	
					BL - 5004					SHEET 1 OF 1 A2



20	5004INSERT	ADI BOLT INSERT	1
19	M3X35SHHTMT	M3 X 35 SKT HEAD HIGH TENSILE	2
18	5004CYL	CYLINDER FOR 5004 NEW ADI BOLT	1
17	SEL7818	7/8 X 1/8 SELLOCK PIN	1
16	5004CAM	CAM FOR NEW ADI BOLT 5004	1
15	-	M2 x 6 C'SUNK CAM SCREW	2
14	5004LCKPLTIMP	LOCKING PLATE FOR NEW ADI	1
13	M4X6BHSCHS	M4 X 6MM BUTTON SOCKET HEAD	1
12	R504finish	RAISED PLATE(finish)	1
11	M6X60CH	M6 X 60MM CUPHEAD BOLT Z/P	4
10	5004BASEIMP	BASE FOR NEW ADI BOLT BODY	1
9	M5X54CSMT	M5 X 54 COUNTERSUNK PHILIPS HEAD	2
8	M3X5PHMT	M3 X 5MM PAN HEAD METAL THREAD	1
7	5004SECPLTIMP	SECURITY PLT FOR NEW ADI	1
6	5004SPRING	SPRING FOR NEW ADI BOLT	1
5	5004NUTIMP	ADI BOLT SPECIAL NUT IMPORT	4
4	5004ROLLER	1/4 X 20MM ROLLER FOR 5004	1
3	SEL5818	5/8 X 1/8 SELLOCK PIN	1
2	5004/BO	STANDARD BOLT FOR 5004	1
1	5004BODYfinish	ADI BOLT BODY finish	1

ITEM	PART No.	DESCRIPTION	QTY																		
GENERAL TOLERANCE UNLESS OTHERWISE STATED		PROT. PROD. SALES IND. ENG																			
LINEAR DIMENSIONS ± 0.1mm		DO NOT SCALE																			
ANGULAR DIMENSIONS ± 0.5°		DIMENSIONS IN MILLIMETRES																			
GEOMETRY TOLERANCING TO AS1100		© ADI SECURITY PRODUCTS																			
THE DESIGN AND OTHER INFORMATION IS IMPARTED ONLY FOR THE PURPOSE FOR WHICH IT IS SUPPLIED. NO OTHER USE OR ANY REPRODUCTION, COPYING OR COMMUNICATION IS PERMITTED WITHOUT THE WRITTEN PERMISSION OF ADI SECURITY PRODUCTS.		<table border="1"> <tr> <td>DRAWN</td> <td>J.NEAL</td> <td>DATE</td> <td>31.08.06</td> <td>MATERIAL AND FINISH</td> <td>-</td> </tr> <tr> <td>CHECKED</td> <td></td> <td>QTY</td> <td>-</td> <td>SCALE</td> <td>NTS</td> </tr> <tr> <td>APPROVED</td> <td></td> <td>REF</td> <td>SE17</td> <td>NEXT ASSY</td> <td></td> </tr> </table>		DRAWN	J.NEAL	DATE	31.08.06	MATERIAL AND FINISH	-	CHECKED		QTY	-	SCALE	NTS	APPROVED		REF	SE17	NEXT ASSY	
DRAWN	J.NEAL	DATE	31.08.06	MATERIAL AND FINISH	-																
CHECKED		QTY	-	SCALE	NTS																
APPROVED		REF	SE17	NEXT ASSY																	
		<table border="1"> <tr> <td colspan="2">ADDITIONAL INFORMATION</td> <td colspan="2">BOLT LOCK EXPLODED ASSEMBLY</td> </tr> <tr> <td colspan="2">ADDITIONAL INFORMATION</td> <td colspan="2">BL5004</td> </tr> <tr> <td colspan="2">ADDITIONAL INFORMATION</td> <td colspan="2">SHEET 1 OF 1</td> </tr> <tr> <td colspan="2">ADDITIONAL INFORMATION</td> <td colspan="2">A2</td> </tr> </table>		ADDITIONAL INFORMATION		BOLT LOCK EXPLODED ASSEMBLY		ADDITIONAL INFORMATION		BL5004		ADDITIONAL INFORMATION		SHEET 1 OF 1		ADDITIONAL INFORMATION		A2			
ADDITIONAL INFORMATION		BOLT LOCK EXPLODED ASSEMBLY																			
ADDITIONAL INFORMATION		BL5004																			
ADDITIONAL INFORMATION		SHEET 1 OF 1																			
ADDITIONAL INFORMATION		A2																			

00	-	-	NEW ISSUE	JN	07/09/06
ISS.	C.R.No.	ZONE	AMENDMENTS	BY	DATE